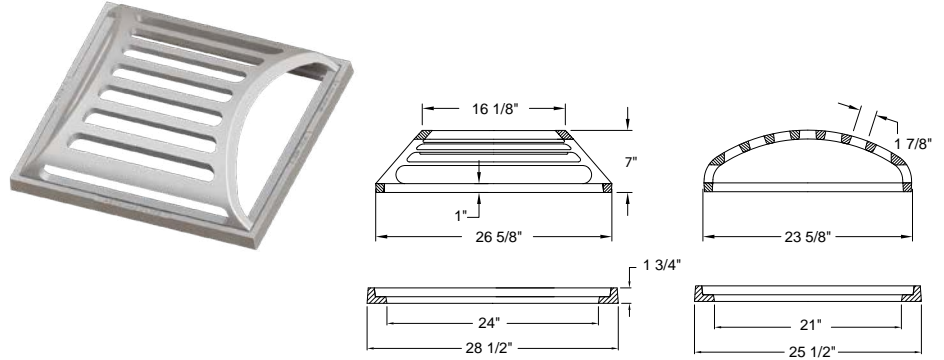


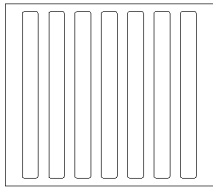
V-4810 DITCH INLET

Heavy duty
Approximate 430 sq. in. open area

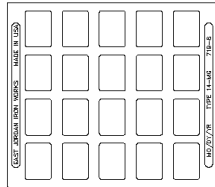


V-4821 GUTTER INLET

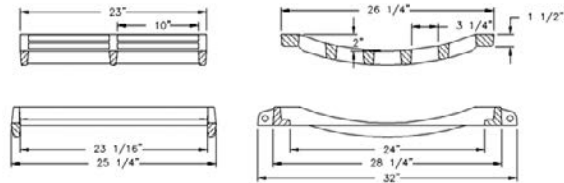
Light duty (Non-traffic)
With V-4821-1 grate
Approximate 330 sq. in. open area



V-4821-2 Grate
Approx. 294 sq. in.
open area

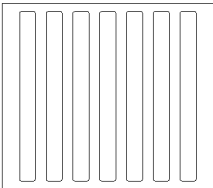


V-4821-4 Grate
Approx. 290 sq. in.
open area

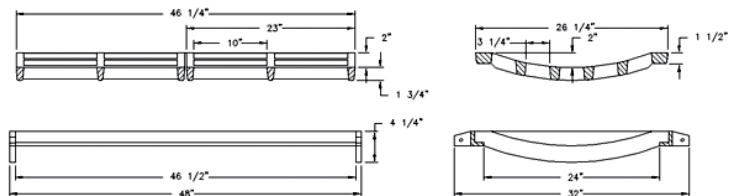


V-4822 DITCH INLET

Light duty (Non-traffic)
Uses two V-4821-1 grates
Approximate 660 sq. in. open area



V-4821-2 Grate
Approx. 588 sq. in.
open area



Supplied By:

**TRENCHDRAIN
SUPPLY**

877-903-7246

www.trenchdrainsupply.com